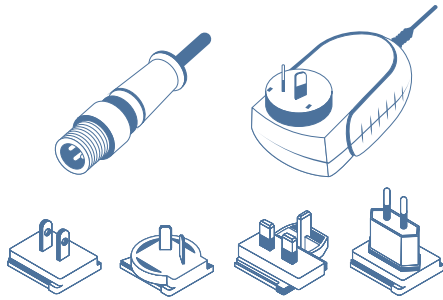



BeanDevice® 2.4GHz AN-420

BeanDevice® 2.4GHz AN-V

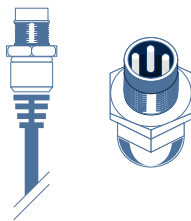
BeanDevice® 2.4GHz AN-mV

Main features	Reference	BND-2.4GHZ-AN420-4CH	BND-2.4GHZ-AN-V-4CH -MR	BND-2.4GHZ-AN-MV-4CH
Measurement range		4-20mA	±5V or ±10V	±20mV
Sensor		Industrial sensors with 4-20mA output	Sensors with single-end or differential voltage output	Strain gage sensors (full bridge), Load Cell, Pressure sensor
Measurement Repeatability (full scale, @ 25°C)		< ±0.01%	< ±0.01%	< ±0.025% Static Measurement mode 2s < ±0.35% Dynamic Measurement mode 10Hz
External sensor power supply		4.5 to 20 volts, configurable from the BeanScape® software		
Number of channels		4 channels		
Maximum wireless Range (L.O.S.)		650 meters (Line of Sight) , 30-100 meters (Non Line of Sight)		
Maximum sampling rate per channel		400 Samples per second (16-bit ADC)		
Data Logger Size		1 million data points		
Battery		Lithium-polymer Rechargeable battery with 2200 mAh of capacity		
Operating temperature		-40°C to +65°C		
Casing		Aluminum, Watertight IP67 NEMA 4 casing dimensions (without antenna) L x w x h : 156mm x 82mm x 57mm Weight : 760g		



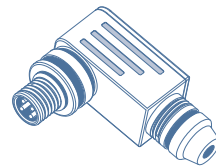
External Power Supply

Wall plug-in, Switchmode power Supply 12V @ 1,25A with sealed M8 Plug (IP67/Nema 6) Ref: M8-PWR-12V



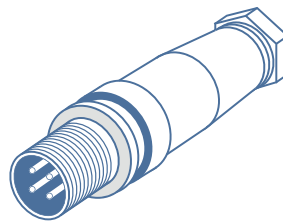
M8 extension cable for external power supply

Molded cable with M8-3pins male plug
Material: PVC with shield protection
IP Rating : IP67 | Nema 6
Cable length: 2 meters , Ref: CBL-M8-2M
Cable length : 5 meters, Ref: CBL-M8-5M
Cable length: 10 meters, Ref: CBL-M8-10M



M12 Aluminum plug for sensors

M12-4 Pins Male plug for sensor interface
Coding : A ,
Locking type : Fix screw
Material : Aluminum
IP Rating : IP67 in locked condition
Ref : M12-AL-SENSOR

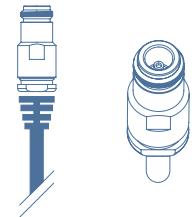


M12 Plastic ABS plug for sensors

M12-4 Pins Male plug for sensor interface
Coding : A ,
Locking type : Fix screw
Material : Plastic ABS
IP Rating : IP67 in locked condition
Ref : M12-PL-SENSOR

Antenna Cable

N-Type cable (Male/Male),
Cable type : RF-5/H155
Cable length : 1 meter, Ref : CBL-ANT-1M
Cable length : 2 meters, Ref : CBL-ANT-2M
Cable length : 3 meters Ref : CBL-ANT-3M
Cable length : 5 meters, Ref : CBL-ANT-5M
Cable length : 10 meters, Ref : CBL-ANT-10M



High Gain Antenna option

High Gain Omnidirectional antenna
Frequency range 2400-2500MHz
VSWR < 1.4, Impedance 50 Ohm, Polarization Vertical
Vertical plane 24° (7dBi Gain version), 6°(9dBi Gain version), 6°(12dBi Gain version), Horizontal plane 360°
Connector N female, Wind load (170km/h) 7.3N
Included : N-Type cable (Male/Male), length : 1 meter
Gain : 7dBi, Dimensions : 360mm x 23mm, Weight : 0.44 kg, >> [datasheet](#)
Ref : HG-OMNI-OUT-7DBI
Gain : 9dBi , Dimensions : 540 mm x 23 mm, Weight: 0.61 kg, >> [datasheet](#)
Ref : HG-OMNI-OUT-9DBI
Gain : 12dBi , Dimensions : 1125mm x 19 mm, Weight: 1.06 kg, >> [datasheet](#)
Ref : HG-OMNI-OUT-12DBI

