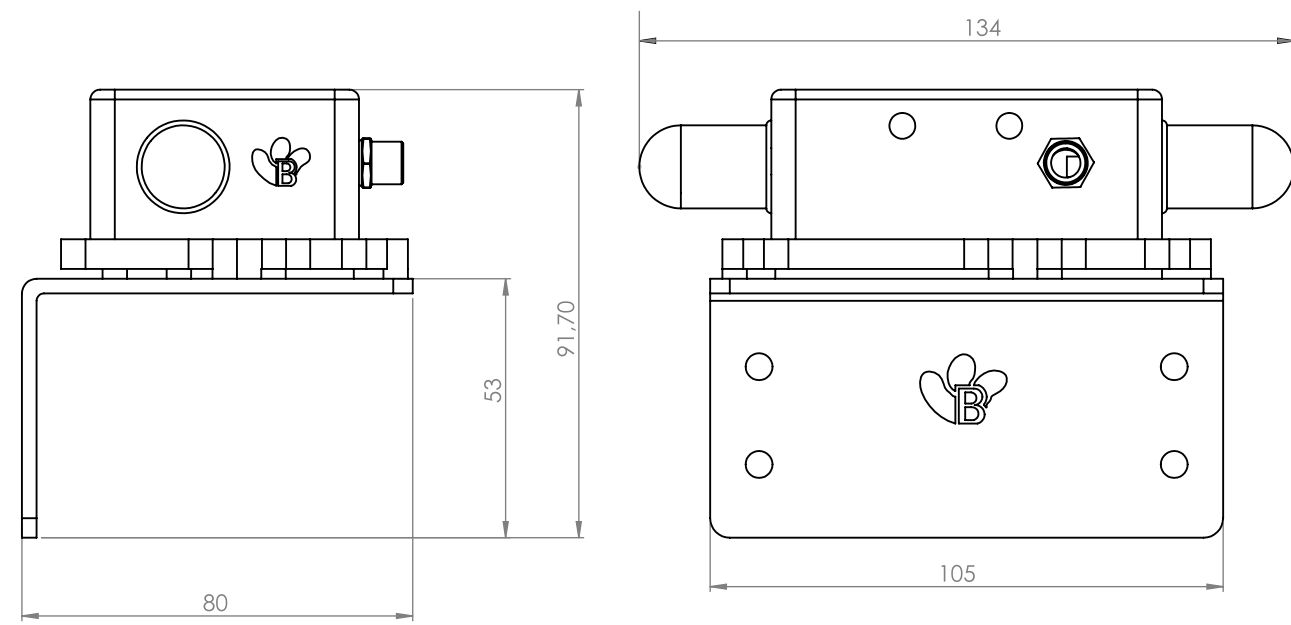
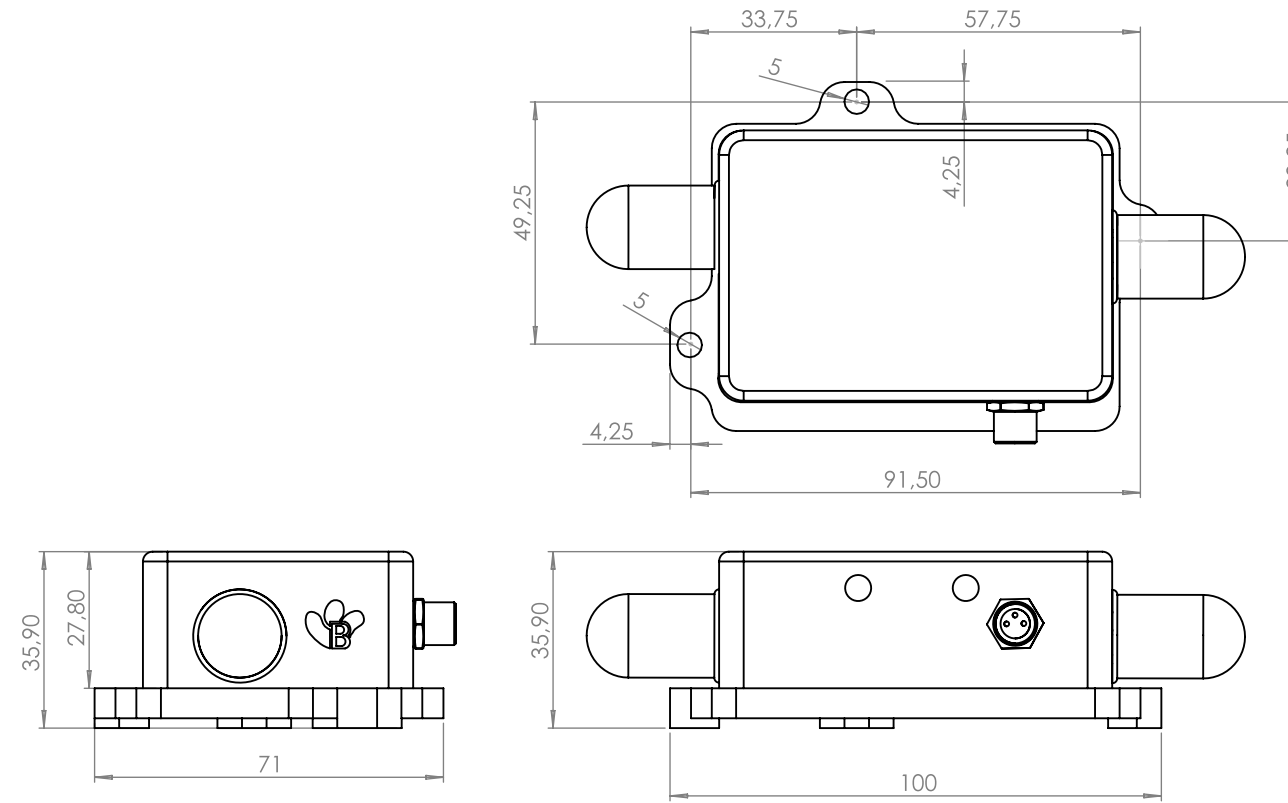


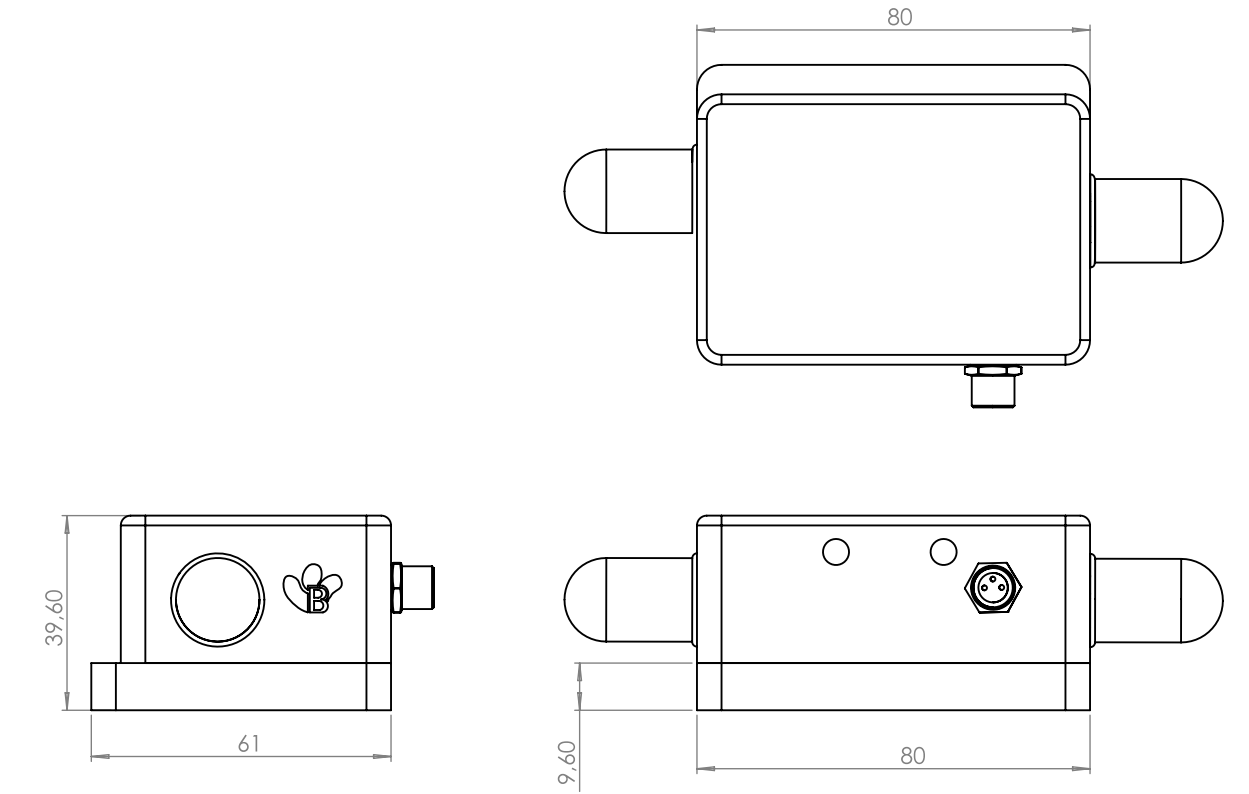
90° BRACKET



SCREW MOUNTING



MAGNETIC MOUNTING



Address:

Wolfener Straße 32 - 34
12681 Berlin - Germany



| | | | | | | | |
|---|------|-----------------------------|------------|----------------------|---------|-----------|--------------|
| UNLESS OTHERWISE SPECIFIED: FINISH: DIMENSIONS ARE IN MILLIMETERS | | DEBUR AND BREAK SHARP EDGES | | DO NOT SCALE DRAWING | | REVISION | |
| SURFACE FINISH: | | | | | | | |
| TOLERANCES: | | | | | | | |
| LINEAR: | | | | | | | |
| ANGULAR: | | | | | | | |
| DRAWN | NAME | SIGNATURE | DATE | TITLE | | | |
| CHK'D | T.M | | 30/11/2020 | | | | |
| APPV'D | | | | | | | |
| MFG | | | | | | | |
| Q.A | | MATERIAL | | DWG NO. | | | |
| | | | | | | | |
| | | | | | | | |
| | | | | | WEIGHT: | SCALE:1:1 | SHEET 1 OF 1 |



Hi-Inc X-Range / AX-3D X-Range

A3