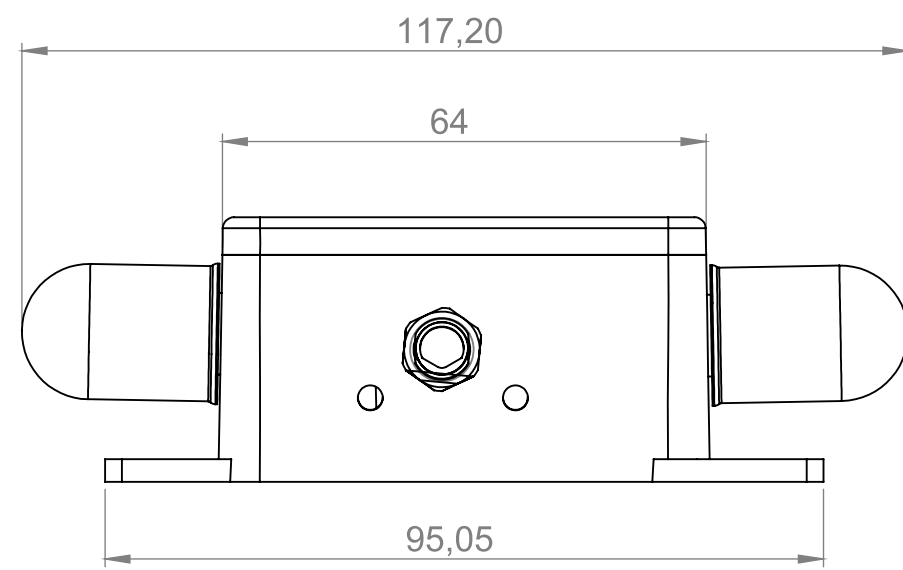
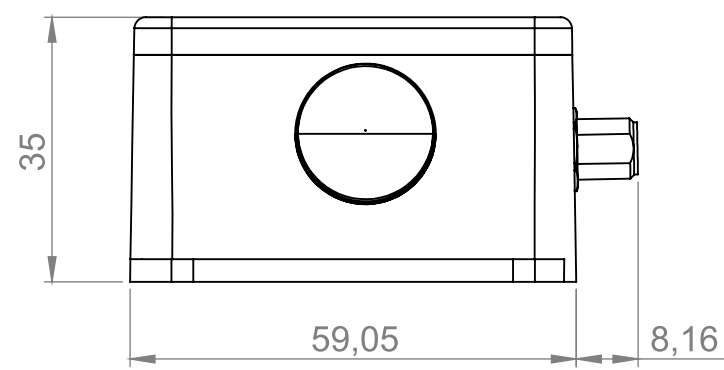
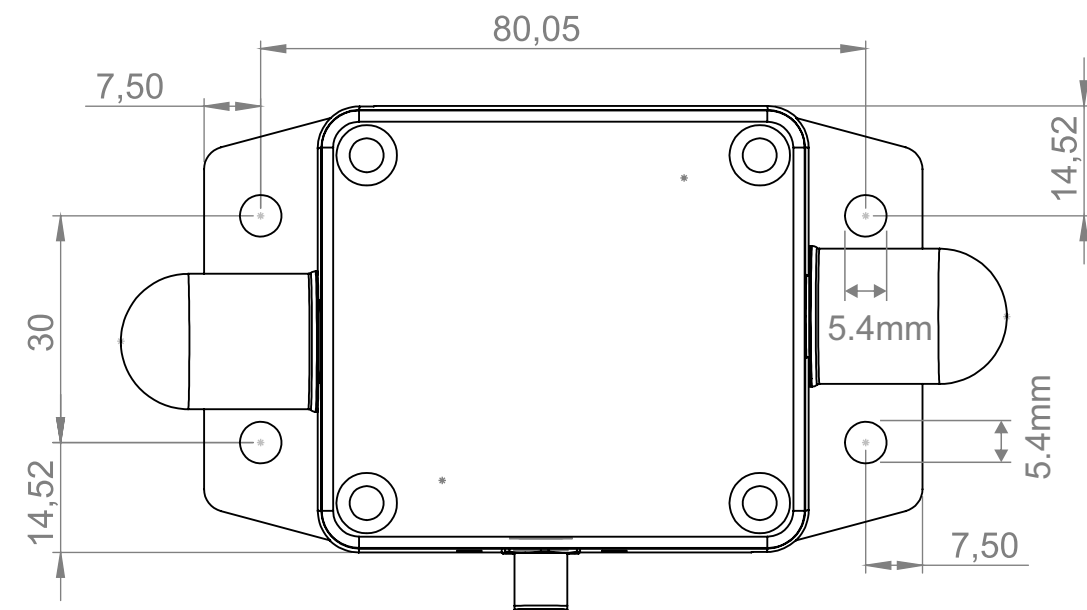
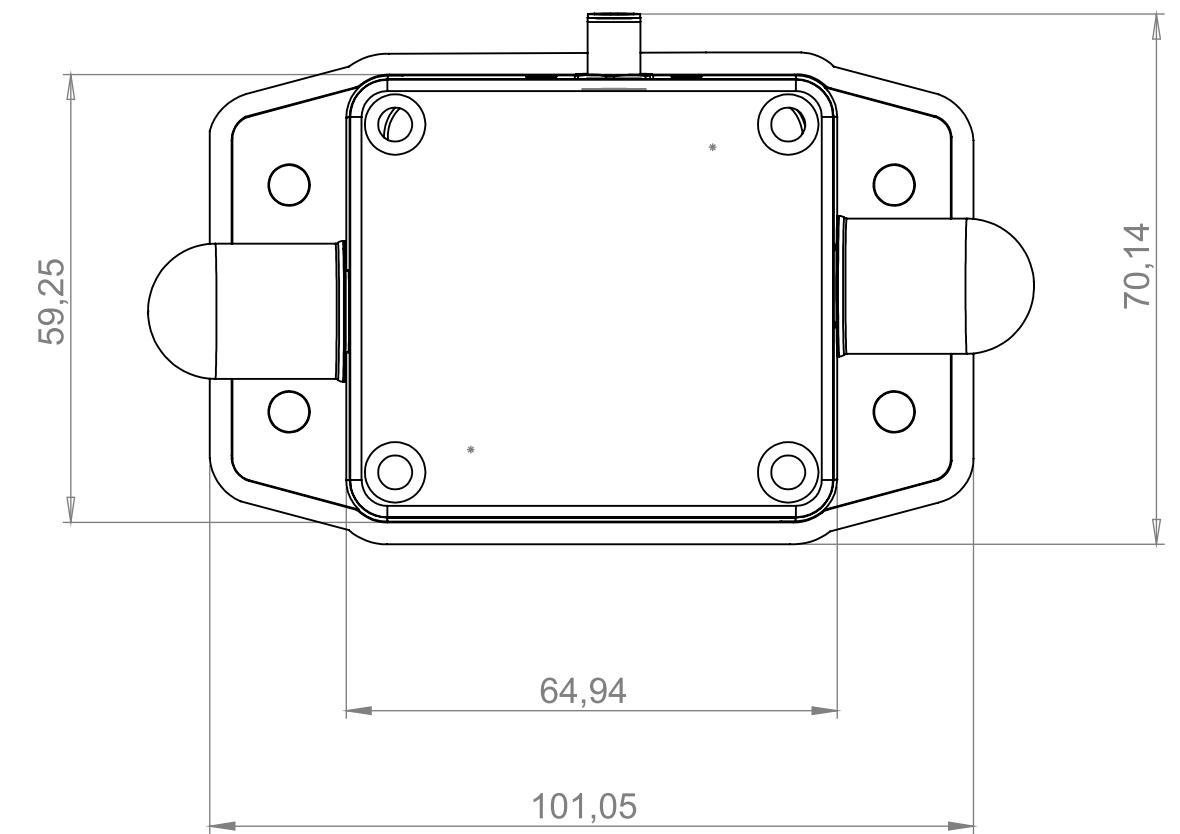
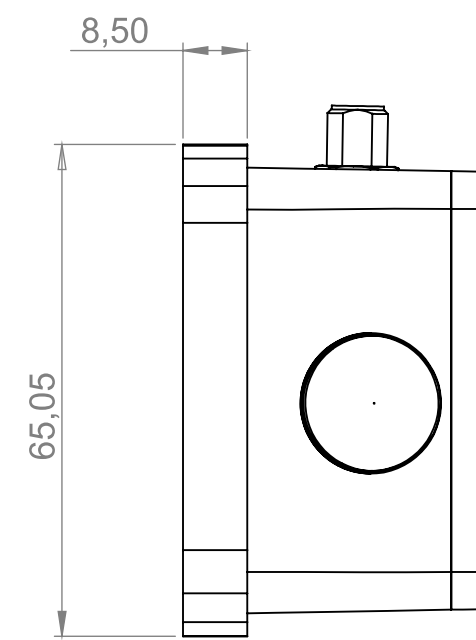
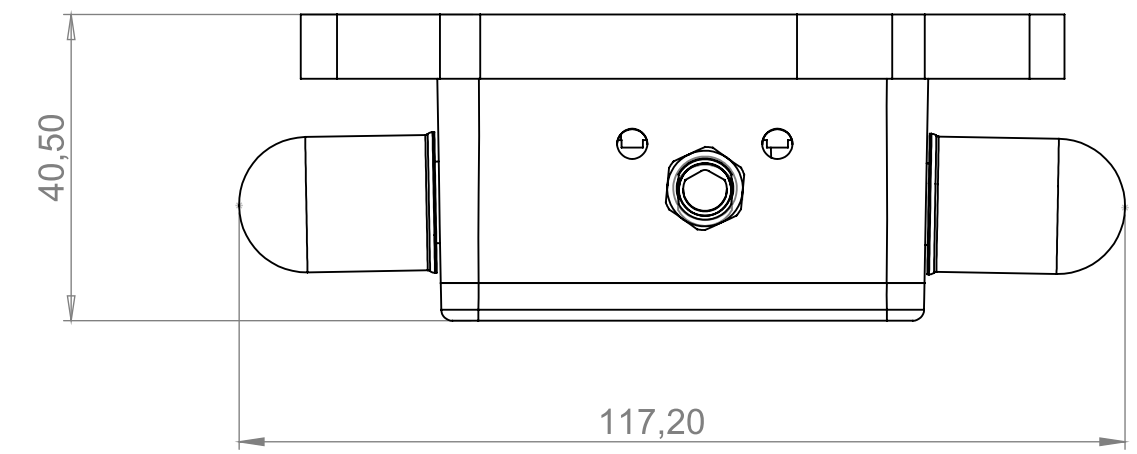




# Screw Mounting



# Magnet Mounting



UNLESS OTHERWISE SPECIFIED: FINISH: SURFACE FINISH: TOLERANCES: LINEAR: ANGULAR:				DEBUR AND BREAK SHARP EDGES		DO NOT SCALE DRAWING		Unit of Measurement millimeter (mm)	
DRAWN T.M		SIGNATURE		DATE 18/05/2017		TITLE:		 	
CHK'D		MFG		MATERIAL:		DWG NO.		Drawing BeanDevice Wilow A3	
APPV'D		Q.A		WEIGHT:		SCALE: 1:1		SHEET 1 OF 1	